



NOVOPOL a.s.

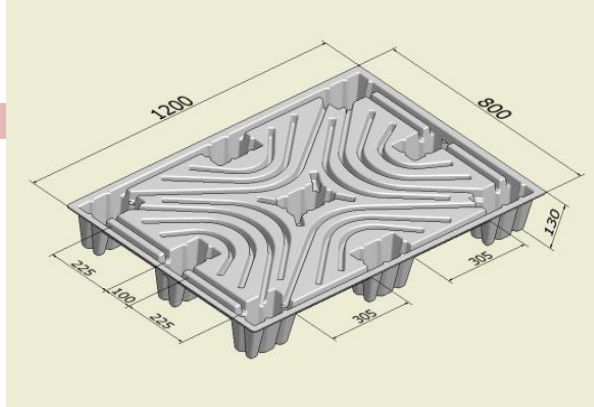
Velký Třebešov 20
552 03 Česká Skalice
Czech Republic

Technical Data Sheet

Pulp Moulding Transport Pallet 1200 x 800

Technical Data:

Type of product:	Pallet 1200 x 800
Material:	100% recycled paper
Size:	1200 x 800 x 130 mm
Max. load capacity:	250 kg
Weight:	3,1 - 3,6 kg
Stack height:	approx. 16 pcs/1 m
Temperature resist.:	-20°C up to +80°C



Pallets are hydrophobically treated and heat-treated against insects.

Product testing/laboratories/documents:

Accredited Testing Laboratory of Transport Packages CIMTO, s.r.o., Protocols on Testing of Mechanical properties of paper palette No. 064-2017.

Pallets comply with the normative, according to the Packaging Act No. 477/2001 Coll.

Test Report No. 7/II/2017, Accredited Testing Laboratory EKOAKVA.

Manipulation/Use Rules & Limits

- 100% recyclable product - dispose to the waste paper container (after use).
- When store the pallets in racking systems, cross sections or grates must be used.
- Not designed for long-term storage in outdoor or humid environments.
- Do not move the loaded palette by swinging directly on the floor.
- Not intended for direct contact with food.
- Load the pallet equally.

